

## Praesideo voice evacuation

- ▶ SOLAS, EN 54-16, ISO 7240-16 and EN 60849 certified
- ▶ Superb sound & speech reproduction
- ▶ Multi-zone functionality
- ▶ Easy-to-use: intuitive user interfaces
- ▶ Extensive integration possibilities



**BOSCH**

Invented for life



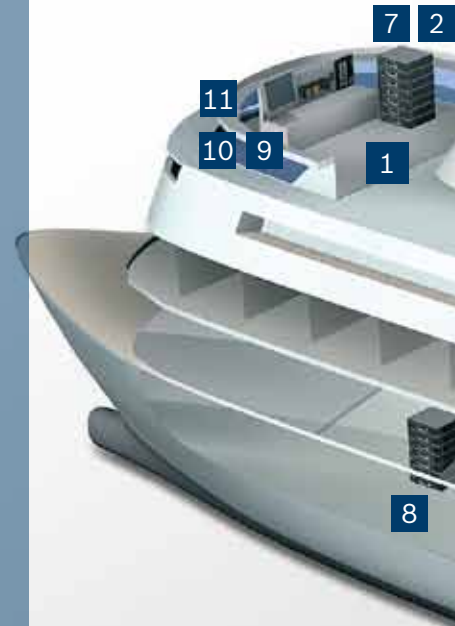
**EN54-16**

EVAC Certified  
Emergency  
Voice Alarm

### Introduction

Praesideo is the perfect public address system to create a pleasant atmosphere for cruise ship passengers and ensure their safety in the event of an evacuation. Flexibility is guaranteed with a virtually unlimited number of zones and high number of audio channels, each with local source and volume control. The system easily interfaces with shipboard fire detection and alarm system, as well as weather alarm,

security alarm and other third party systems. Praesideo complies with all treaties for commercial ships engaged in international service, and is recognized by all major maritime nations. It is SOLAS certified ('Safety of Life at Sea') – the most important maritime safety standard – and includes standard maritime alarm tones.

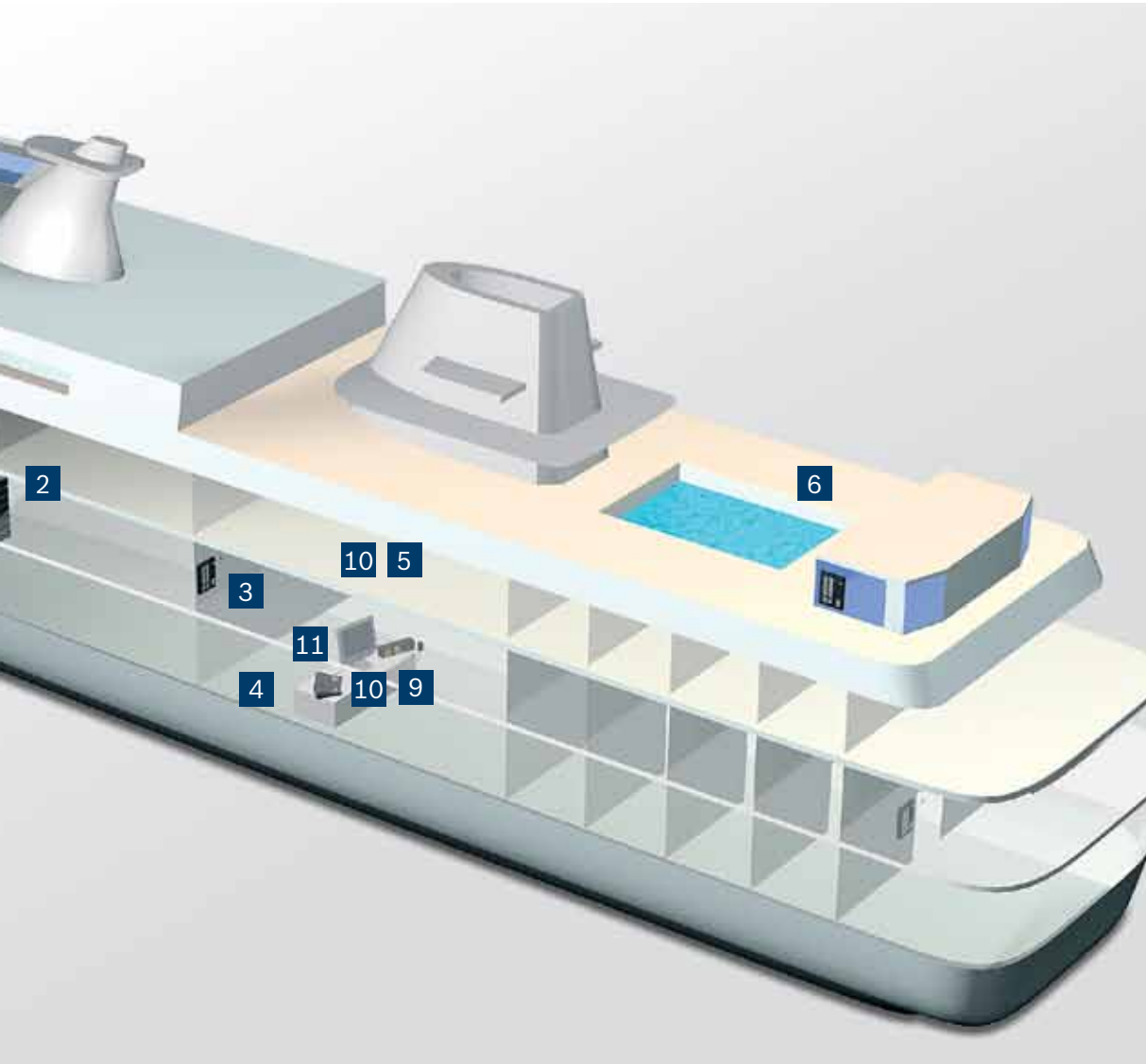


### Summary of requirements

- ▶ Addressable EVAC zones that correspond to ship fire zones
- ▶ Easy Interface to fire alarm system
- ▶ Redundant A-B system configuration ensures emergency messages are heard
- ▶ SOLAS, EN54-16, ISO7240-16 and EN60849 certified
- ▶ Non emergency paging functionality eliminates the need and complexity of a separate communication system
- ▶ Flexible BGM control with convenient interface to shipboard entertainment system

### Solution

Praesideo is a fully digital solution fulfilling a ship's public address, voice alarm and background music requirements. Its flexible 'daisy chain' network topology allows system control from any location throughout the ship. Zones can be identified by deck, cabin, engine room, or other functional areas.



#### Cruiseship

- 1 Bridge
- 2 Technical Room
- 3 Restaurant deck
- 4 Lobby/ Reception area
- 5 Entertainment decks
- 6 Pool deck

#### Praesideo System

- 7 Praesideo racks A
- 8 Praesideo racks B
- 9 Fireman's Panel
- 10 Robust Call Stations
- 11 Graphical control and logging software

### System description

To assure cruise ship safety, two complete systems are installed at separate locations ('A-B configuration'). Each zone is connected via dual loudspeaker lines to both systems. The system incorporates rugged paging call stations (Praesideo call station kits). The system also incorporates touchscreen-controlled call stations with a very simple yet powerful graphical user interface. An emergency call station on the bridge with duplicate electronics connects both systems (A and B).

Various power amplifiers efficiently meet the specific power requirements of each zone. Music sources can be connected to the line inputs of the network controller unit and routed to the different public areas and function rooms. Audio from the entertainment system can be digitally routed to the Praesideo system using Cobranet technology.

### Loudspeaker monitoring

Loudspeaker lines, and individual loudspeakers at crucial locations, are supervised using Praesideo's 'wire-free' loudspeaker supervision. Spare amplifiers can back up multiple primary amplifiers and automatically take over if a primary amplifier fails. Fault conditions are immediately logged and reported, allowing corrective actions to be taken.



### Automatic volume control

Built-in Automatic Volume Control, included in all Praesideo power amplifiers, ensures a comfortable volume level regardless of the surrounding noise, guaranteeing excellent clarity of announcements, paging and evacuation messages.

### Certified Solutions

Praesideo by Bosch is certified for SOLAS, EN54-16, ISO7240-16 and EN60849 to meet all legislated requirements for voice alarm systems in marine applications.

### Complete security solutions

Bosch Security Systems offers a wide range of security, safety, and communication solutions that are relied upon every day in applications and places around the world, from government facilities and public venues to businesses, schools and homes.

**For more information about the Praesideo Digital Public Address and Emergency Sound System, please feel free to contact your nearest Bosch representative or visit our website: [www.boschsecurity.com](http://www.boschsecurity.com).**



**EN54-16**

EVAC Certified  
Emergency  
Voice Alarm

### Bosch Security Systems

To learn more about our product offering, please visit [www.boschsecurity.com](http://www.boschsecurity.com) or send an e-mail to [emea.securitysystems@bosch.com](mailto:emea.securitysystems@bosch.com)